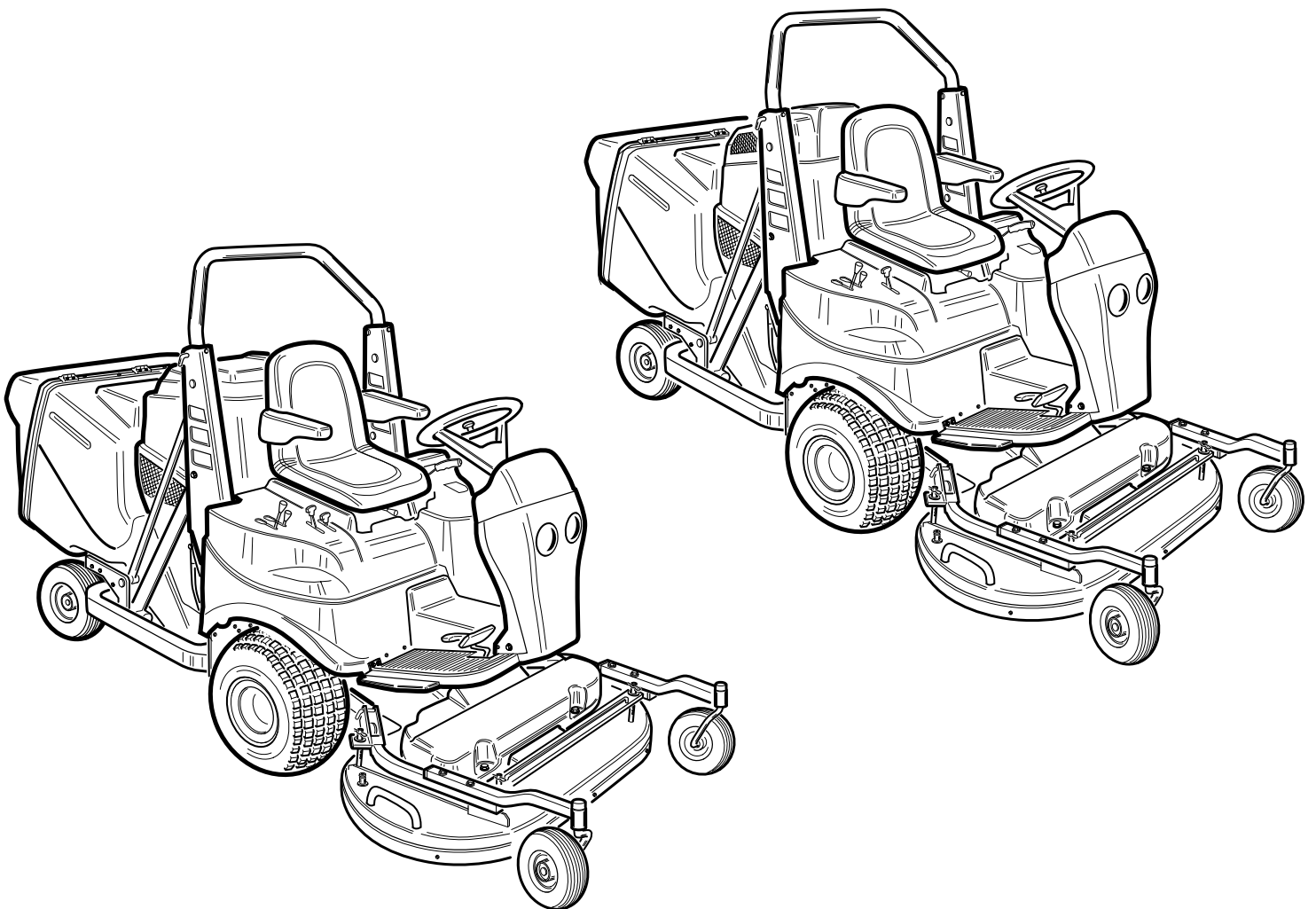




Gianni Ferrari



CE



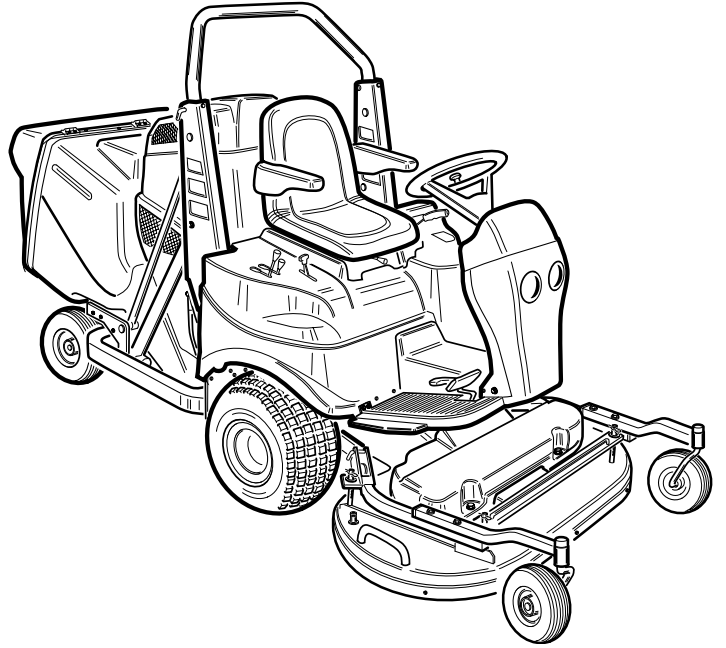
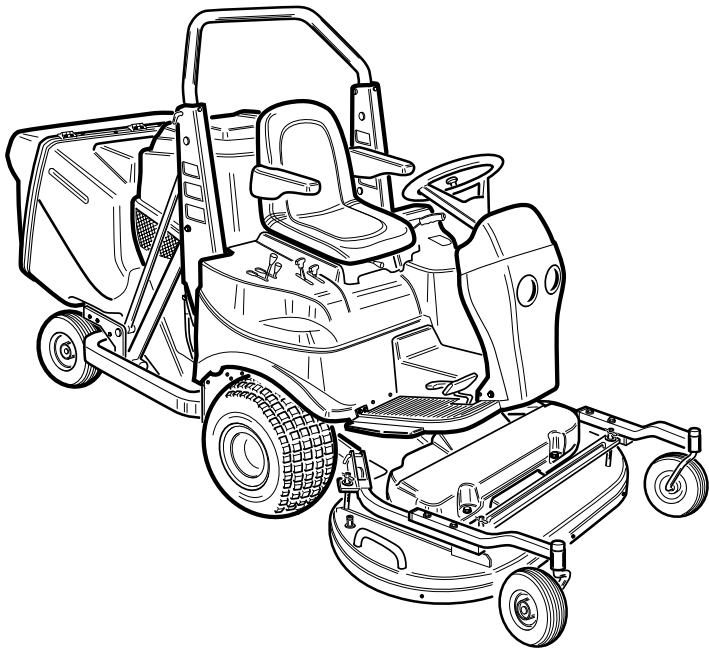
**CATALOGO
PARTI DI RICAMBIO**

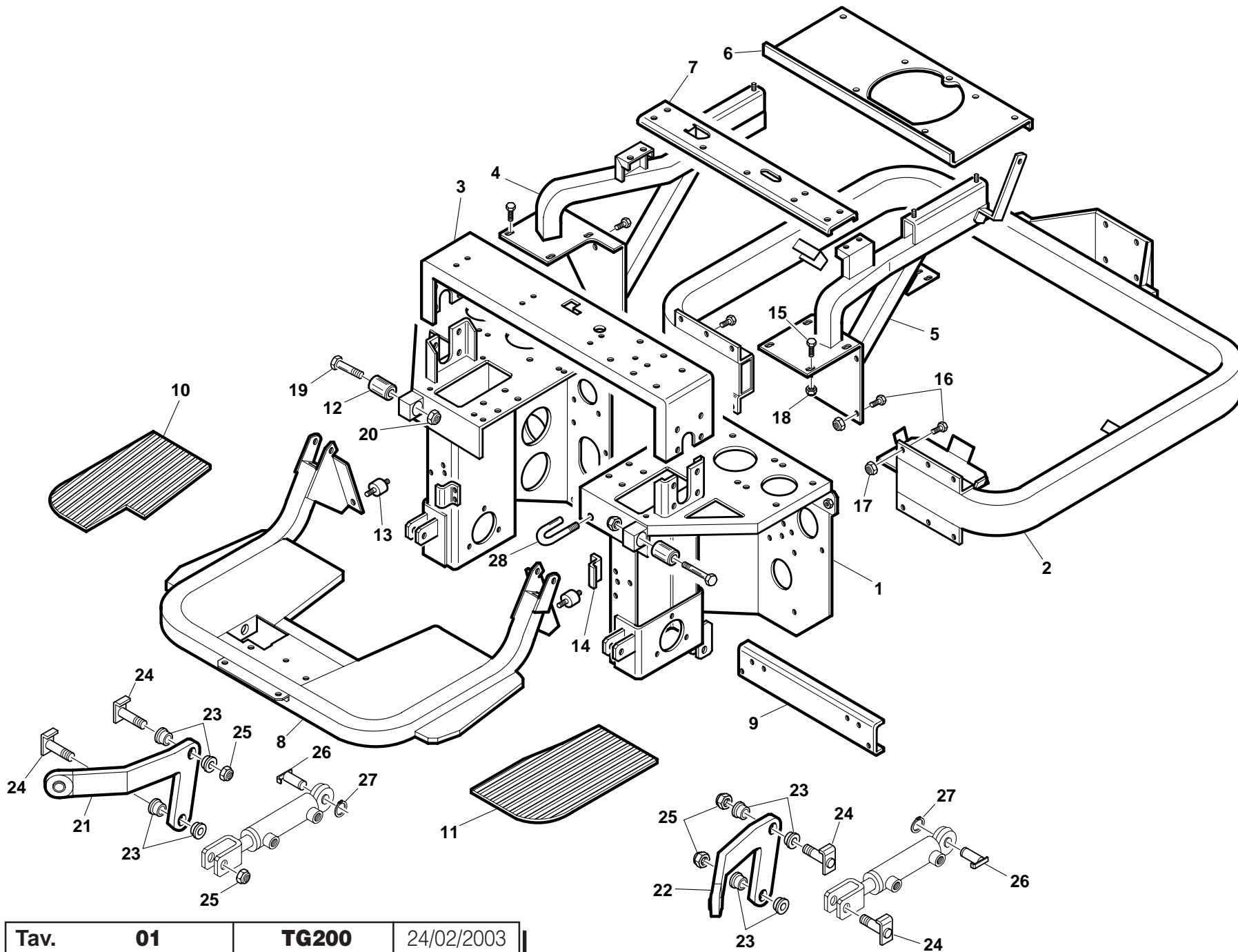
**CATALOGUE PIECES DETACHEES
SPARE PARTS CATALOGUE
ERSATZTEILKATALOG**



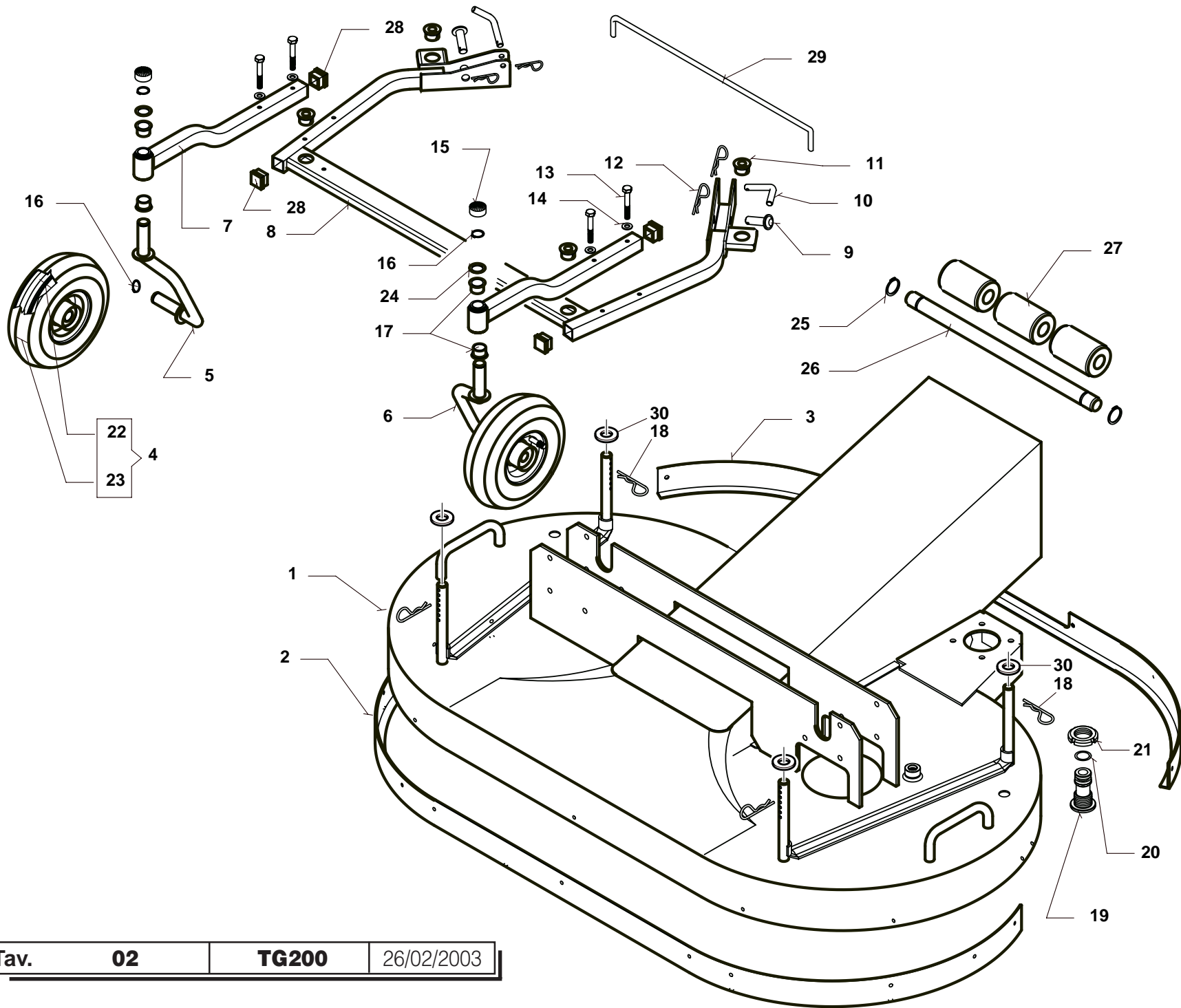
INHOUD - PART LIST - TABLES DES MATRIERES - STUCK LISTE

TG 200-01	FRAME CHÄSSIS FRAME RAHMEN	TG 200-09	V-SNAAR AANDRIJVING BELTS TRANSMISSION TRANSMISSION COURROIES RIEMENANTRIEB
TG 200-02	MAAIDEK CUTTING DECK PLATEAU DE COUPE MÄHWERK	TG 200-10	KAPPEN SHELLS CARÉNES SCHALEN
TG 200-02/1	MAAIER CARRIAGE CHARIOT WAGEN	TG 200-11	KOHLER MOTOR DELEN KOHLER MOTOR COMPONENTS COMPOSANT MOTEUR KOHLER KOHLER MOTORTEILE
TG 200-03	MAAIER AANDRIJVING MOWING PLATE COUPELLE MÄHWERK	TG 200D-11/1	YANMAR MOTOR DELEN YANMAR MOTOR COMPONENTS COMPOSANT MOTEUR YANMAR YANMAR MOTORTEILE
TG 200-04	MES AANDRIJVING BLADES - MECHANICAL UNITS LAMES - GROUPE MÉCANIQUES MESSER - MECHANISCHE AGGREGATE	TG 200D-12	HYDRAULIEK SYSTEEM HUDRAULIC SYSTEM INSTALLATION HUDRAULIQUE HYDRAULISCHE ANLAGE
TG 200-05	GRAS CONTAINER CONTAINER CONTENEUR BEHÄLTER	TG 200-13	STUUR - DRIJFWERK PLATFORM - HYDROSTATIC TRANSM, ESTRADERANSMISSION HUYDROST, TRITTBRETT - HYDROSTATISCHE ANTR,
TG 200-05/1	HOOGKIEPER CONTAINER ELEVATOR CONTENEUR ELEVATEUR BEHÄLTER ELEVATOR	TG 200-14	KOHLER ELECTRISCHE DELEN KOKLER ELECTRICAL SYSTEM INSTALLATION ÉLECTRIQUE KOHLER ELEKTRISCHE ANLAGE
TG 200-06	ACHTERAS STEERING REAR AXLE ASSIEU ARRIÈRE DIRECTEUR LENKHINTERACHSE	TG 200-15	ELECTRISCHE DELEN INSTALLATION ÉLECTRIQUE ELECTRIC INSTALLATION ELEKTRISCHE ANLAGE
TG 200-07	VOOR AS FRONT AXLE ESSIEU AVANT VORDERACHSE	TG 200-16	YANMAR ELECTRISCHE DELEN YANMAR ELECTRICAL SYSTEM INSTALLATION ÉLECTRIQUE YANMAR YANMAR ELEKTRISCHE ANLAGE
TG 200-08	ZITTING - TANK SEAT - TANK SIÈGE - RÉSERVOIR SITZ - TANK	TG 200-17	MULCH KIT MULCHING KIT KIT MULCHING MULCHING-KIT

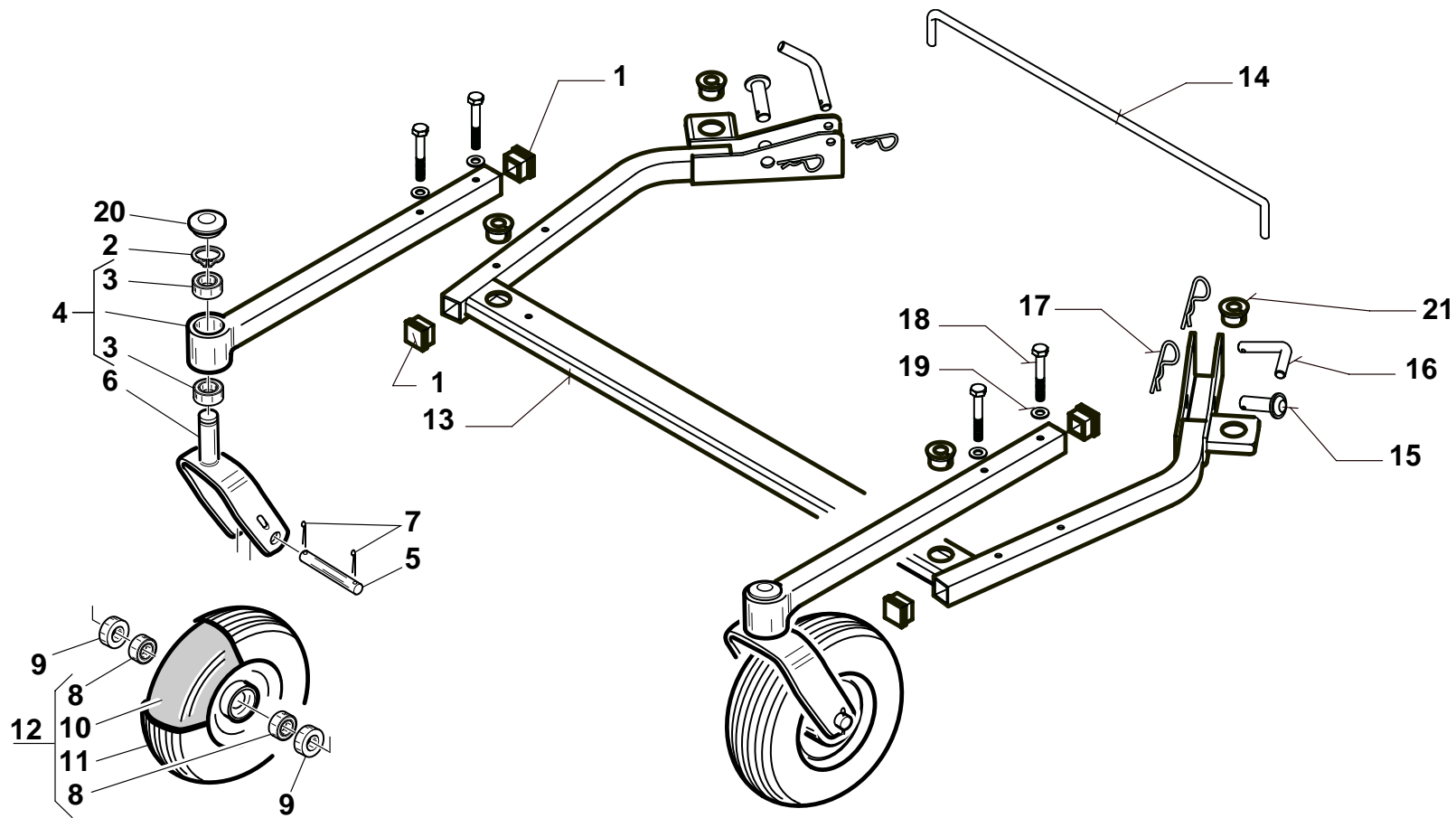




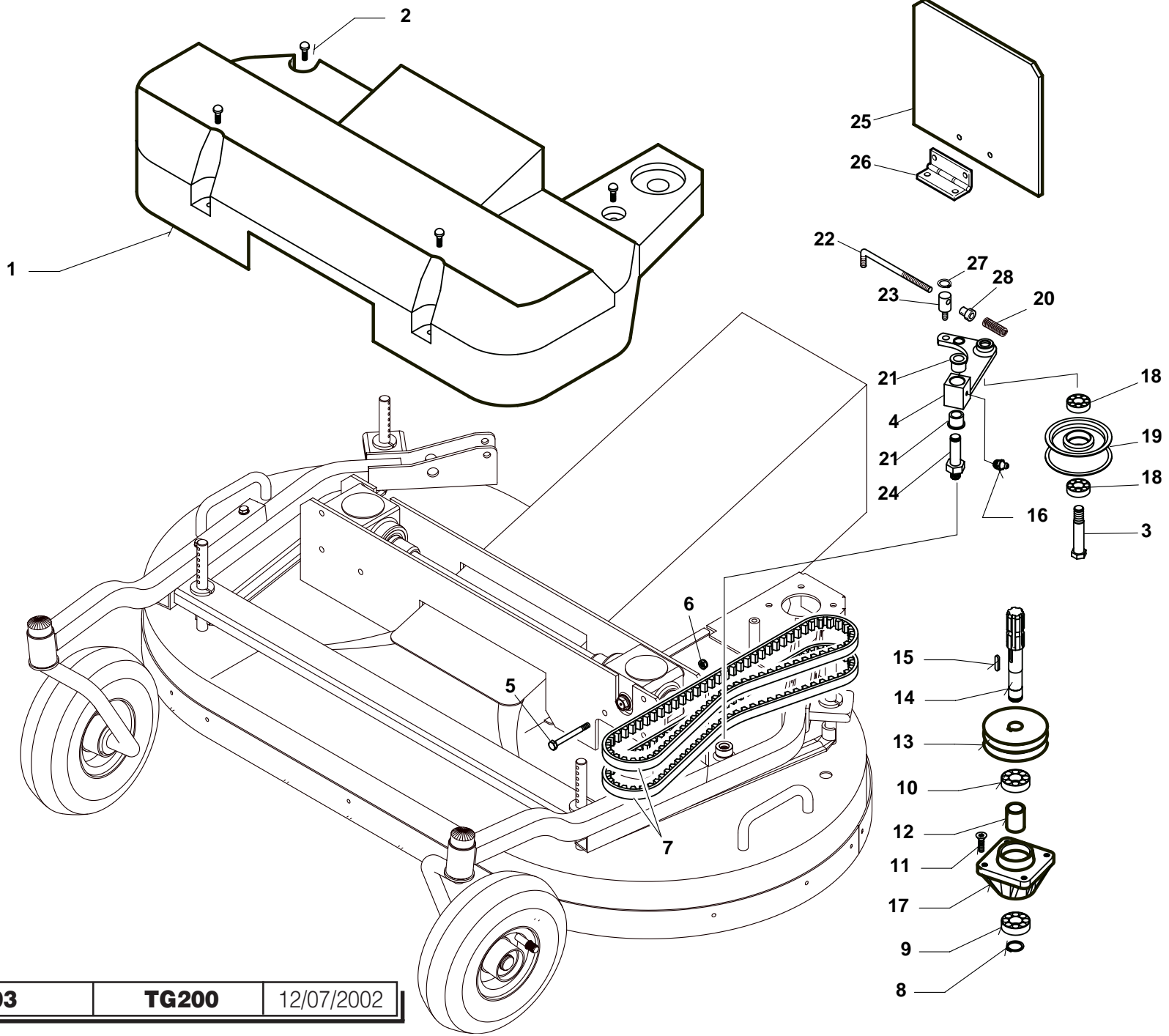
Pos.	CODICE / CODE
01	94010110000
02	94010430000
03	94010160000
04	94010120000
05	94010100000
06	94011120000
07	94010000012
08	94010390000
09	94010000057
10	94010000088
11	94010000089
12	00111970121
13	00111970119
14	94010000046
15	00111300044
16	00111300052
17	00111250014
18	00111250012
19	00111300010
20	00111250008
21	94010740000
22	94010730000
23	94010000013
24	94014160000
25	00111250005
26	PZ95060160000
27	00111650019
28	94010000091



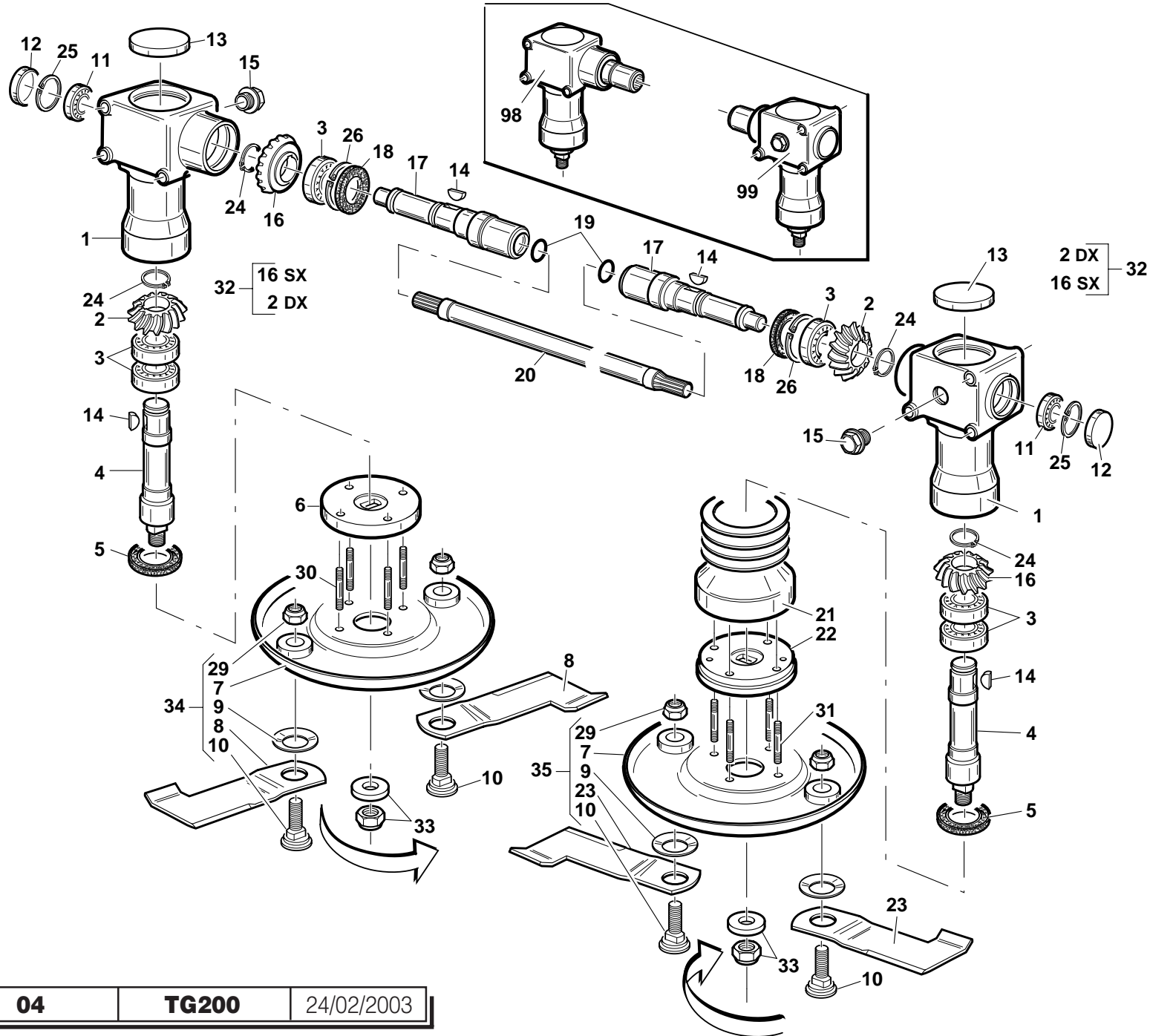
Pos.	CODICE / CODE
01	94014100000
02	95102000001
03	94014000016
04	95504200000
05	95504301000
06	95504401000
07	94014120000
08	94014110000
09	94014170000
10	94014000009
11	90106000007
12	00111750004
13	00111300048
14	00111000061
15	95504000021
16	00111000057
17	00111990017
18	00111000175
19	95566000004
20	00777230005
21	00111170001
22	00111930004
23	00111940007
24	00111500011
25	00111000119
26	95566110003
27	00111970082
28	00111970125
29	94014000024
30	00111000170



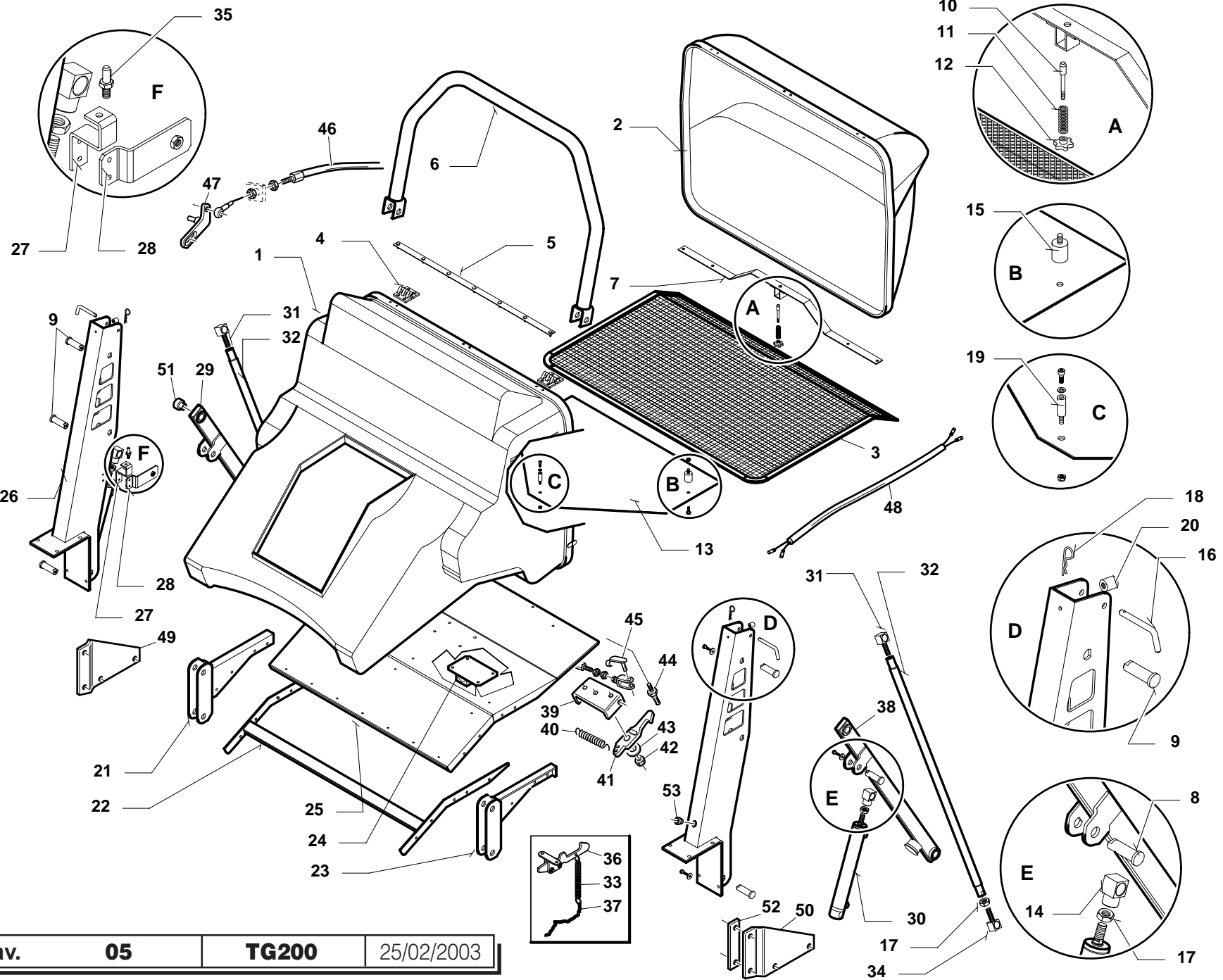
Pos.	CODICE / CODE
01	00111970125
02	00111000057
03	00777100006
04	95139204000
05	95139200001
06	95139201000
07	00111750005
08	00777100008
09	90110000001
10	00111930011
11	00111940019
12	95139206000
13	94014241000
14	94014000024
15	95139100003
16	94014000009
17	00111750004
18	00111300048
19	00111000061
20	99076000006
21	90106000007



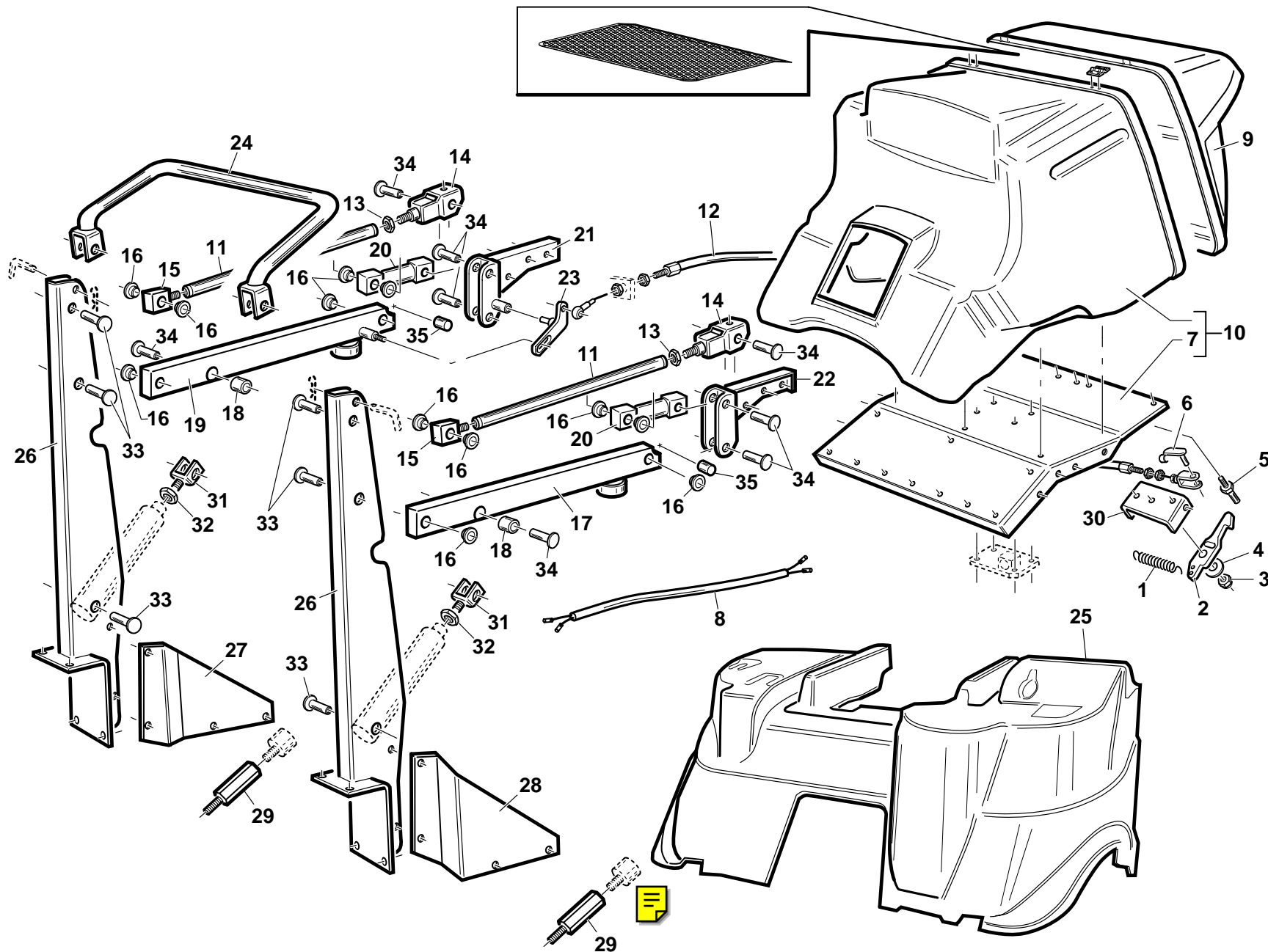
Pos.	CODICE / CODE
01	9401400019
02	0011100059
03	9502900011
04	94014150000
05	0011130032
06	00111250004
07	00111980020
08	00111000057
09	00777100020
10	00777100023
11	00111350022
12	95532000019
13	94014000003
14	94014000004
15	00111900001
16	00111000036
17	95532000001
18	00777100005
19	94014000008
20	95566110002
21	95001000060
22	94014000021
23	94010820000
24	95500150006
25	94014000022
26	00777580001
27	00111650004
28	00111530001



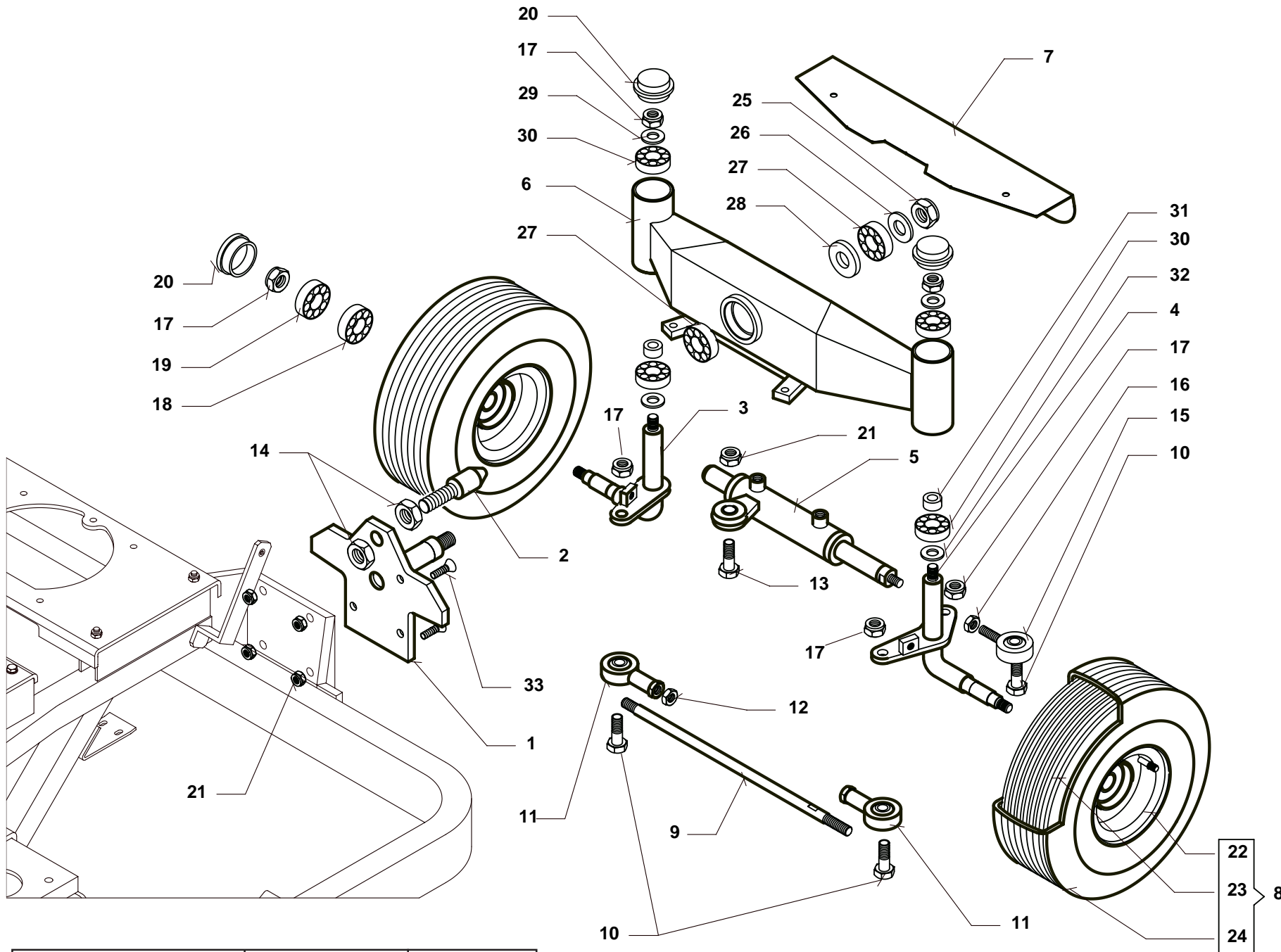
Pos.	CODICE / CODE
01	00777305503
02	32
03	00777100017
04	00777305501
05	00777250015
06	94014000015
07	94014201000
08	94014000011
09	00111050004
10	94014000012
11	00777100041
12	00777270007
13	00777270001
14	00777305203
15	00777150002
16	32
17	00777305504
18	00777250017
19	00777230006
20	94014000005
21	94014000006
22	94014000013
23	94014000010
24	00111650013
25	00111650002
26	00111650009
27	33
28	33
29	00111250008
30	00111320001
31	00111320002
32	00777306000
33	95599180000
34	94014200000
35	94014210000
98	00777305600
99	00777305500



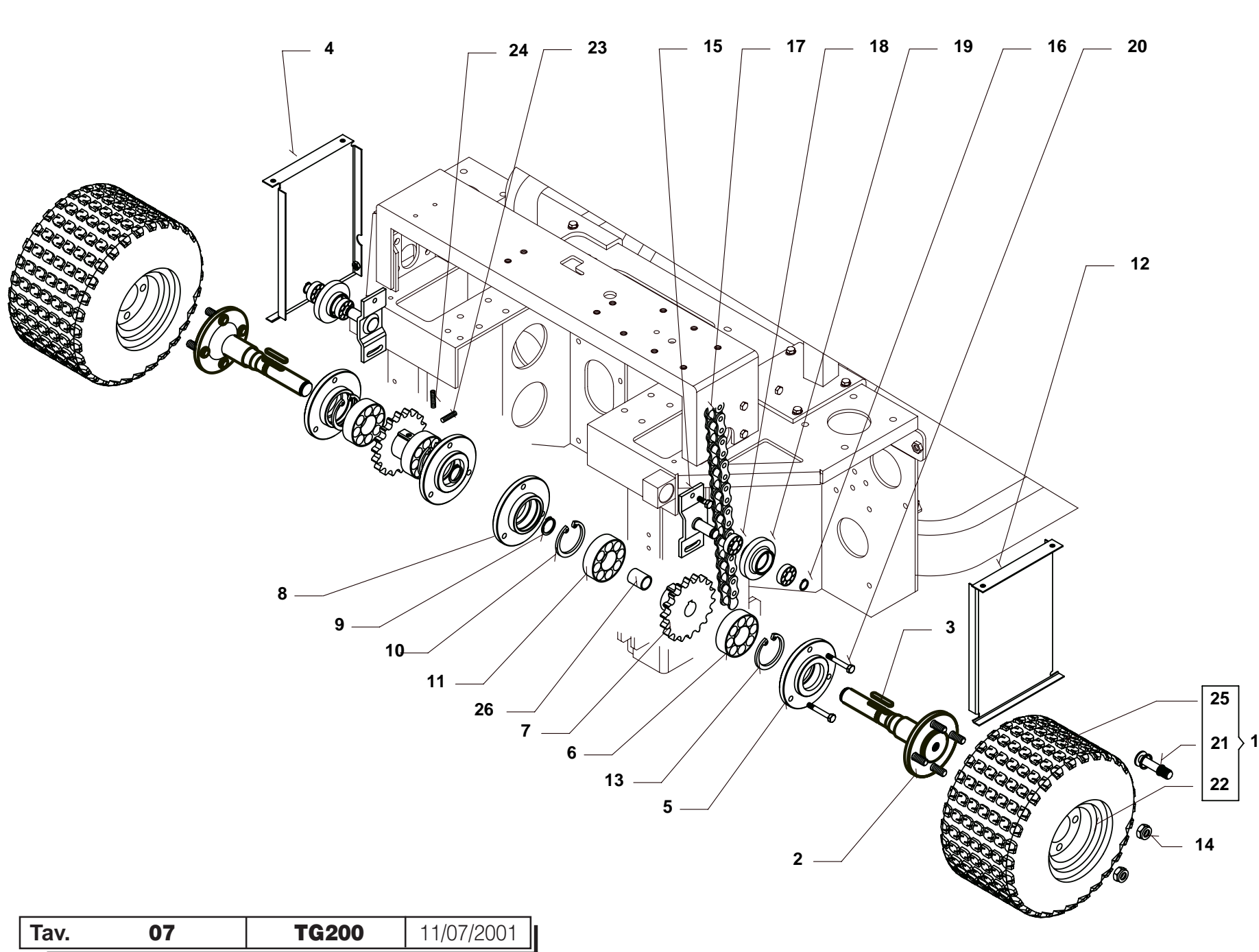
Pos.	CODICE / CODE
01	94010980000
01	94013190000
02	94010970000
03	94010960000
04	00111970136
05	94013170000
06	94013160000
07	94010850000
08	94010000059
09	94010000060
10	94010840001
11	94010000097
12	00111970014
13	94010960001
14	94010000048
15	90106000009
16	95125000010
17	00111150005
17	00111150011
18	00111750004
19	94010000104
20	00111970118
21	94010450000
22	94010810000
23	94010460000
24	94013100000
25	94013000001
25	94017220000
26	94010410000
27	94010890000
28	94010650000
29	94010420000
30	94013150000
31	94010000058
31	94017000003
32	94010000061
32	94013000014
33	94014000023
34	94010000075
34	94013000015
35	95048100011
36	95101120000
37	94010000101
38	94013211000
39	94017190000
40	94017000009
41	94017000008
42	00111000080
43	00111000070
44	94017000007
45	00777180001
46	94013220000
47	94017120000
48	94017250000
49	94013000005
50	94013000004
51	00111970053
52	94013230000
53	00111970128



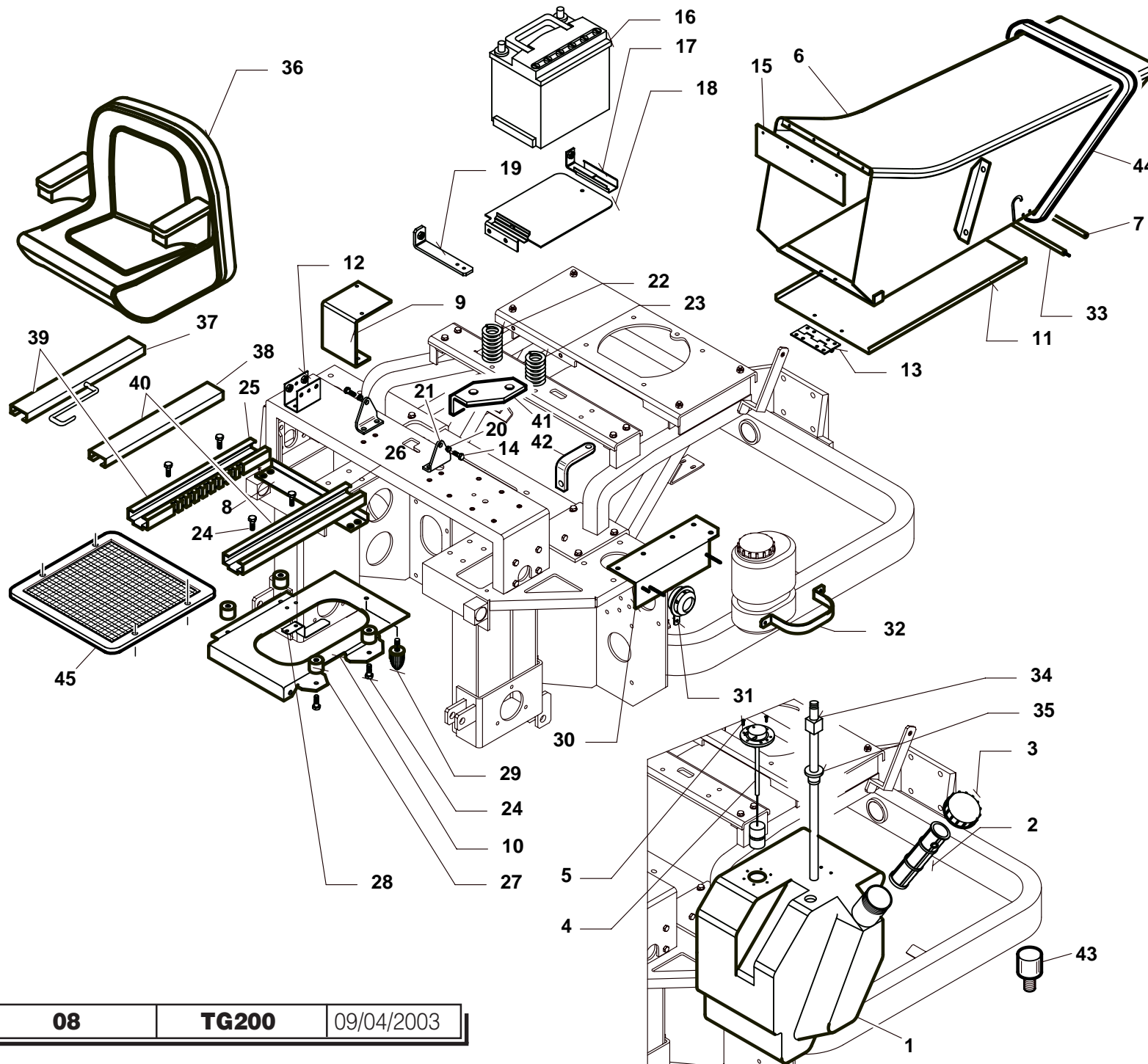
Pos.	CODICE / CODE
01	94017000009
02	94017000008
03	00111000080
04	00111000070
05	94017000007
06	00777180001
07	94017220000
08	94017250000
09	94010970000
10	94010980000
11	94017000002
12	94017200000
13	00111150011
14	94017100000
15	94017000003
16	00111990017
17	94017180000
18	00111530004
19	94017170000
20	94017000001
21	94017150000
22	94017140000
23	94017120000
24	94017210000
25	94017270000
26	94017160000
27	94017000004
28	94017000005
29	94017000006
30	94017190000
31	94017130000
32	00111150005
33	94010000060
34	94010000059
35	00111870003



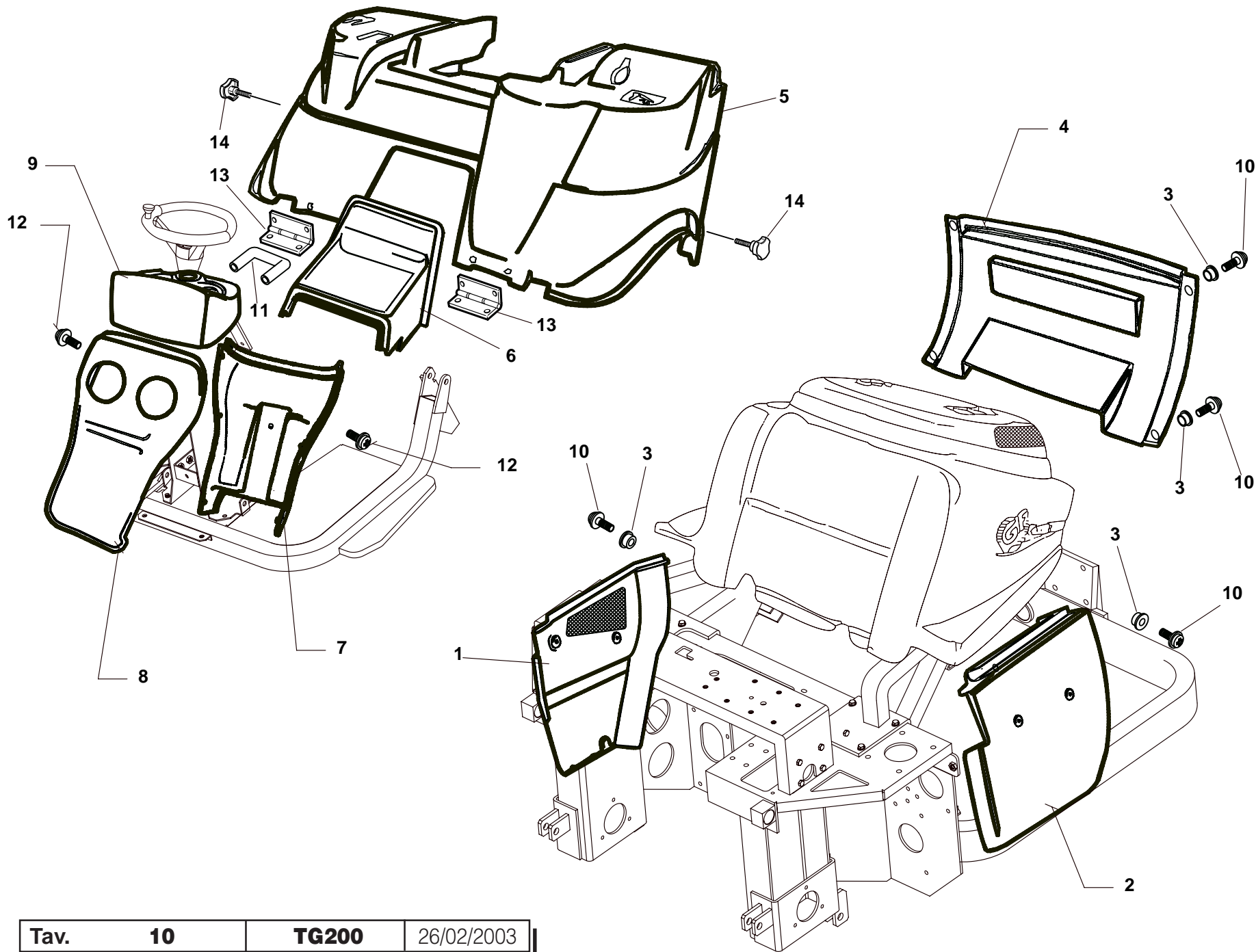
Pos.	CODICE / CODE
01	94010470000
02	94010000068
03	95097130000
04	95097120000
05	95097100000
06	94010290000
07	94010000086
08	95097190000
09	94010300001
10	95097000008
11	00777200017
12	00111150004
13	95060000001
14	00111150015
15	00777200016
16	95096000001
17	00111250011
18	00777100008
19	00777100028
20	00777270005
21	00111250008
22	95097191000
23	00111930010
24	00111940016
25	00111000043
26	95097000004
27	00777100012
28	95097000005
29	95097000002
30	00777100035
31	95097000003
32	95097000006
33	00111350025



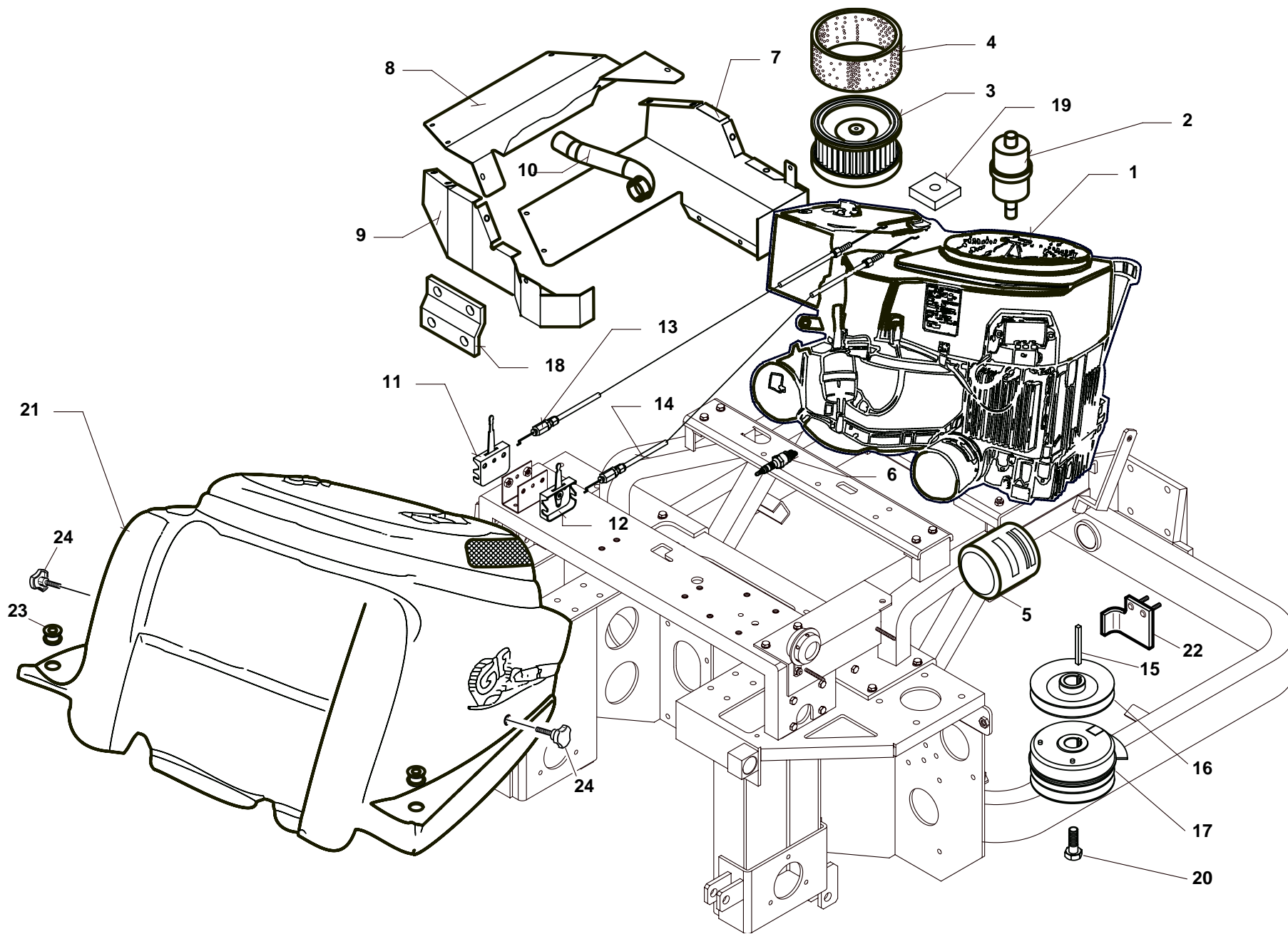
Pos.	CODICE / CODE
01	94010280000
02	94010130000
03	00111900016
04	94010490000
05	94010000062
06	00777100012
07	94010000005
08	94010000002
09	00111000140
10	00111650009
11	00777100027
12	94010500000
13	00111650003
14	00111250009
15	94010140000
16	00111650014
17	00777400010
18	00777100032
19	94010000001
20	00111450001
21	00111930006
22	95046200001
23	00111960005
24	00111960001
25	00111940015
26	94010000003



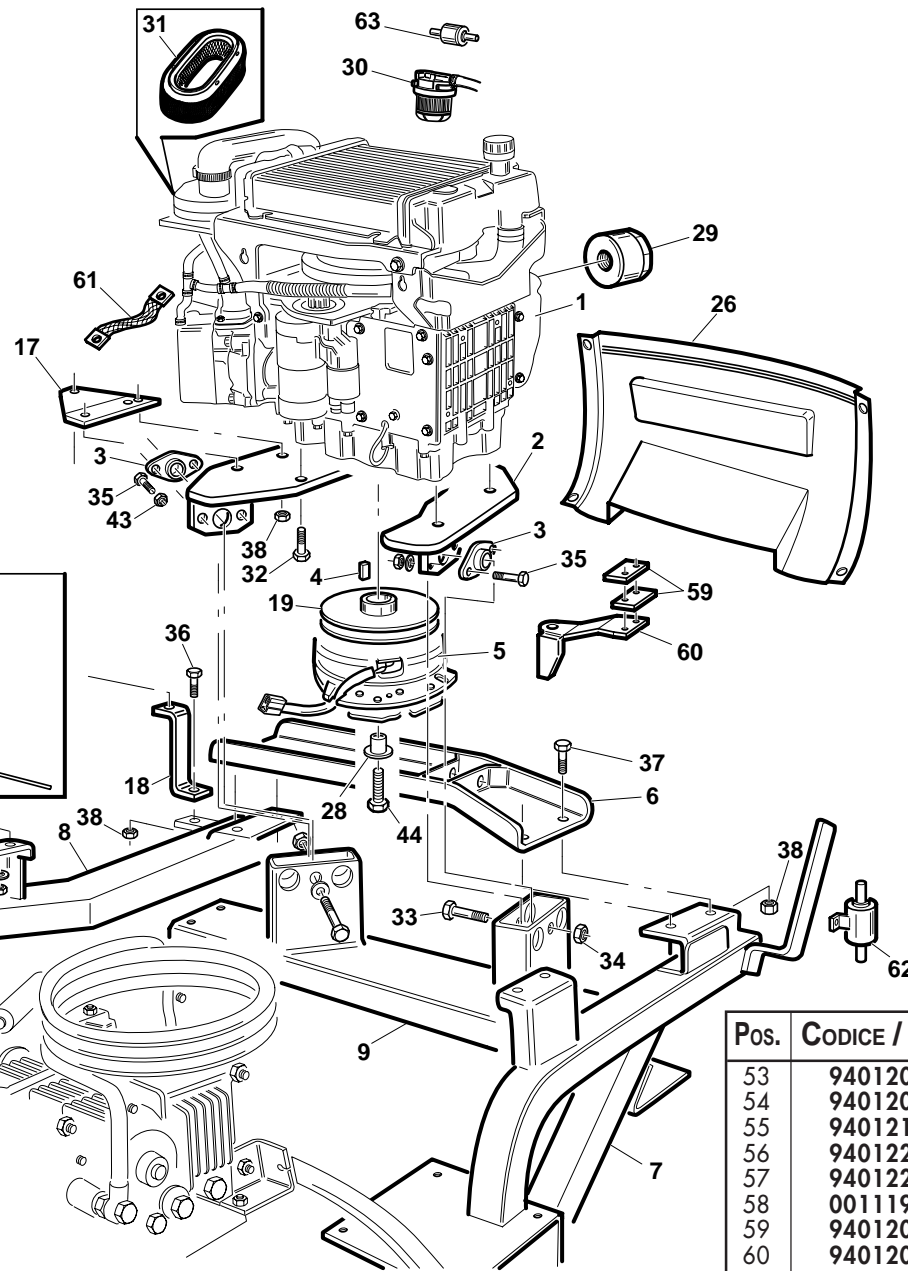
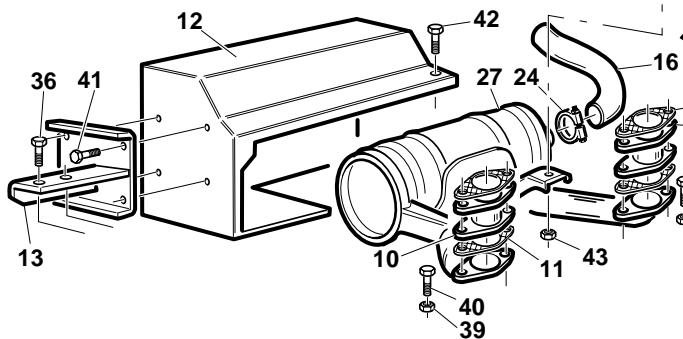
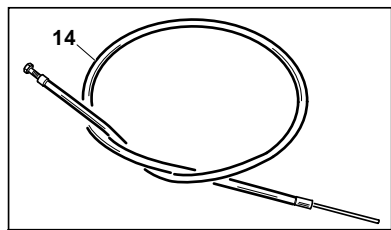
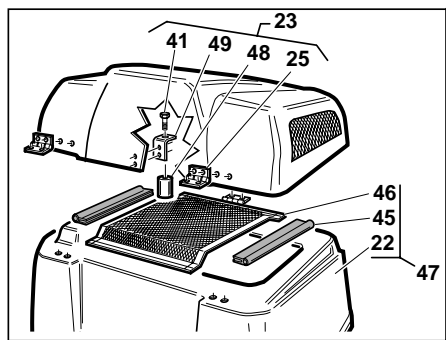
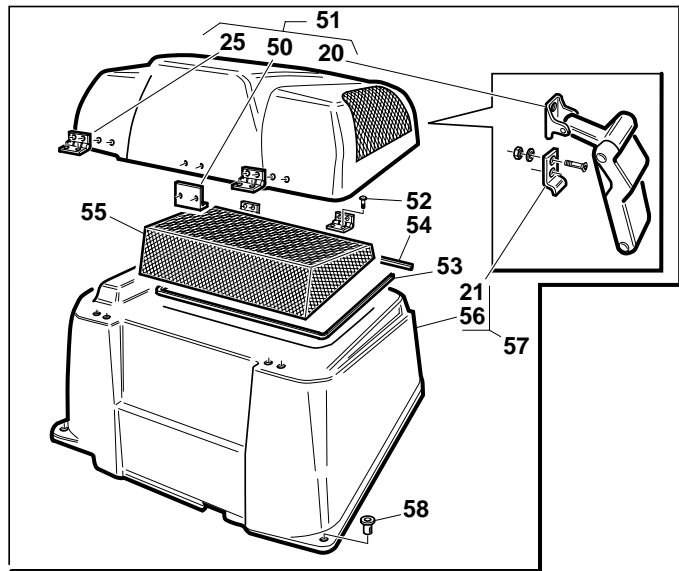
Pos.	CODICE / CODE
01	9401036000
02	00111970052
03	00111970027
04	00777800122
05	00111450011
06	94010180000
06	94017260000
07	94010000079
08	94010660000
09	94010000033
10	94010170000
11	94010000076
12	94010330000
13	00777580001
14	94010000007
15	94010000077
16	00777800071
17	94010710000
18	94010340000
19	94010640000
20	95001000060
21	94010590000
22	95500470001
23	95500000039
24	00111450004
25	00777850003
26	00777850004
27	00111970120
28	94010000022
29	00111970086
30	94010400000
31	00777800022
32	PZ95042000005
33	94010000078
34	00111970130
35	00111970053
36	00777850012
37	00777850011
38	00777850010
39	00777850006
40	00777850005
41	94010000043
42	95514111301
43	00111970005
44	94010000108
45	94500500000



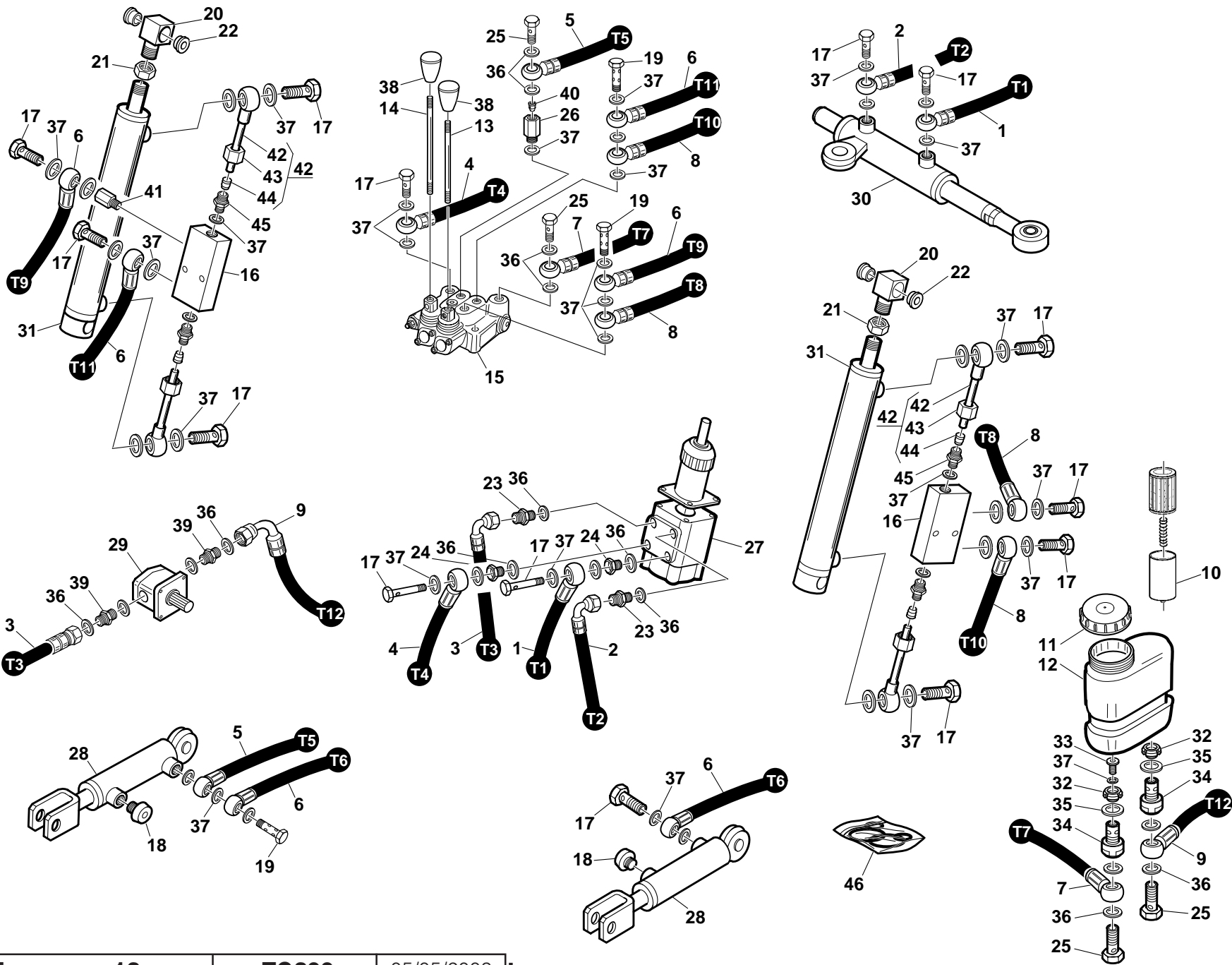
Pos.	CODICE / CODE
01	9401070000
02	9401090000
03	00111970134
04	94010910000
05	94013200000
06	94010000072
07	94010000071
08	94010000070
08	94010000105
09	94010000069
10	00111450012
11	00111990088
12	00111450011
13	00777580001
14	00111970019



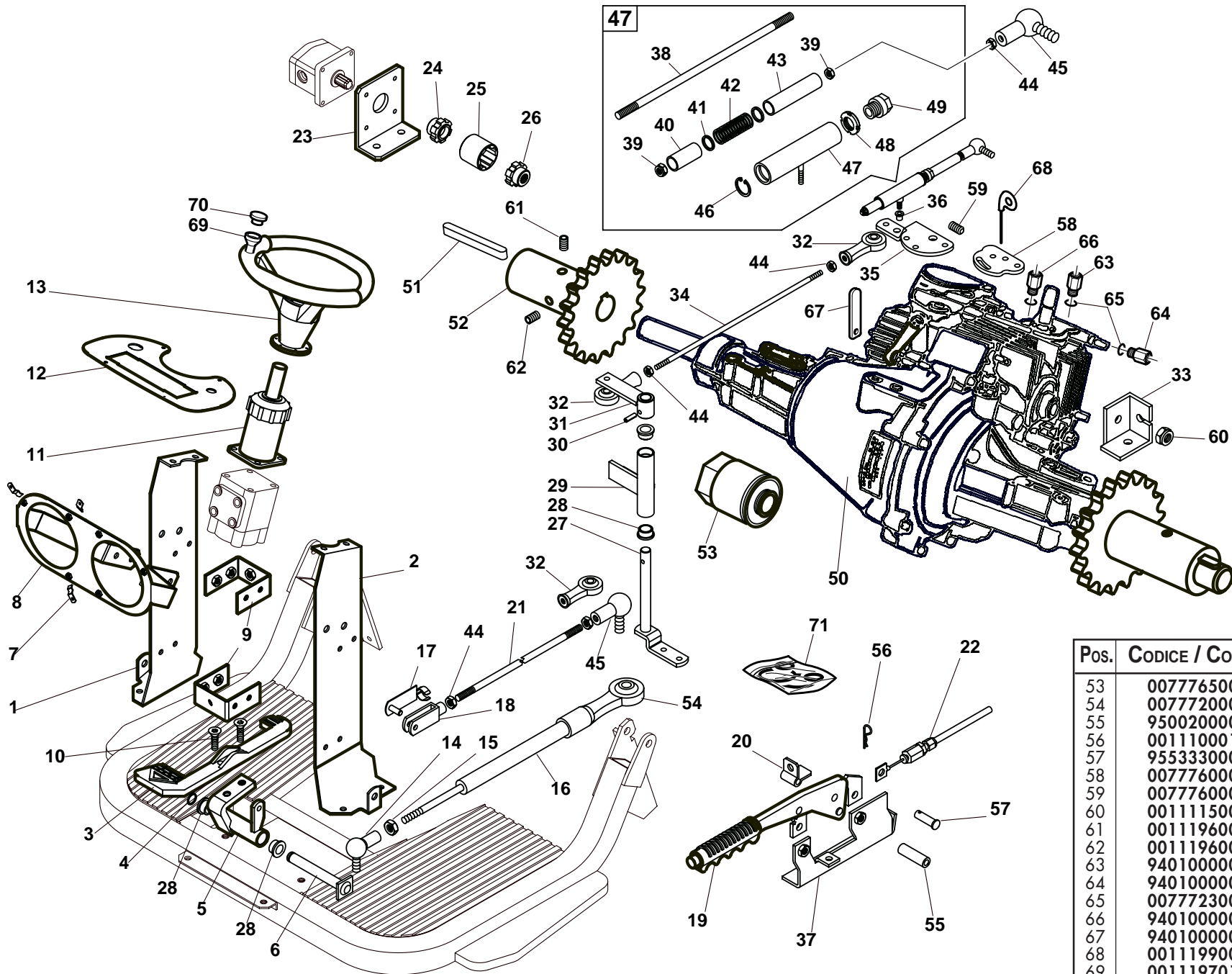
Pos.	CODICE / CODE
01	00777700014
02	00777650048
03	00777650051
04	00777650050
05	00777650049
06	00777750004
07	94011150000
08	94011000004
09	94011140000
10	94010620000
11	00111990037
12	00111000192
13	94011100000
14	94011110000
15	00111900020
16	94011000003
17	00777801200
18	94010670000
19	94011000005
20	00111300051
21	94011160000
22	94011190000
23	00111970066
24	00111970133



Pos.	CODICE / CODE
01	00777700017
02	94012160000
03	00111970141
04	00111900020
05	00777801300
06	94012150000
07	94012140000
08	94012130000
09	94012120000
10	94012210000
11	00111990092
12	94012230000
13	94012170000
14	94012220000
15	94012200000
16	94012000006
17	94012000005
18	94012180000
19	94012000001
20	00111970140
21	00111970139
22	94012100003
23	94012240000
24	00111810028
25	00111970136
26	94010920000
27	00111990094
28	00111990095
29	00777650053
30	00777650052
31	00777650054
32	40
33	00111400032
34	00111250005
35	00111000093
36	00111450002
37	00111450001
38	00111000071
39	00111250017
40	00111000076
41	00111450010
42	00111450005
43	00111000095
44	00111300029
45	94012100004
46	94012250000
47	94012100000
48	00111970118
49	94012000012
50	00777800052
51	94012292000
52	00111450011
53	94012000009
54	94012000010
55	94012101000
56	94012291001
57	94012291000
58	00111970066
59	94012000013
60	94012000012
61	00777800052
62	00777710004
63	00777650056

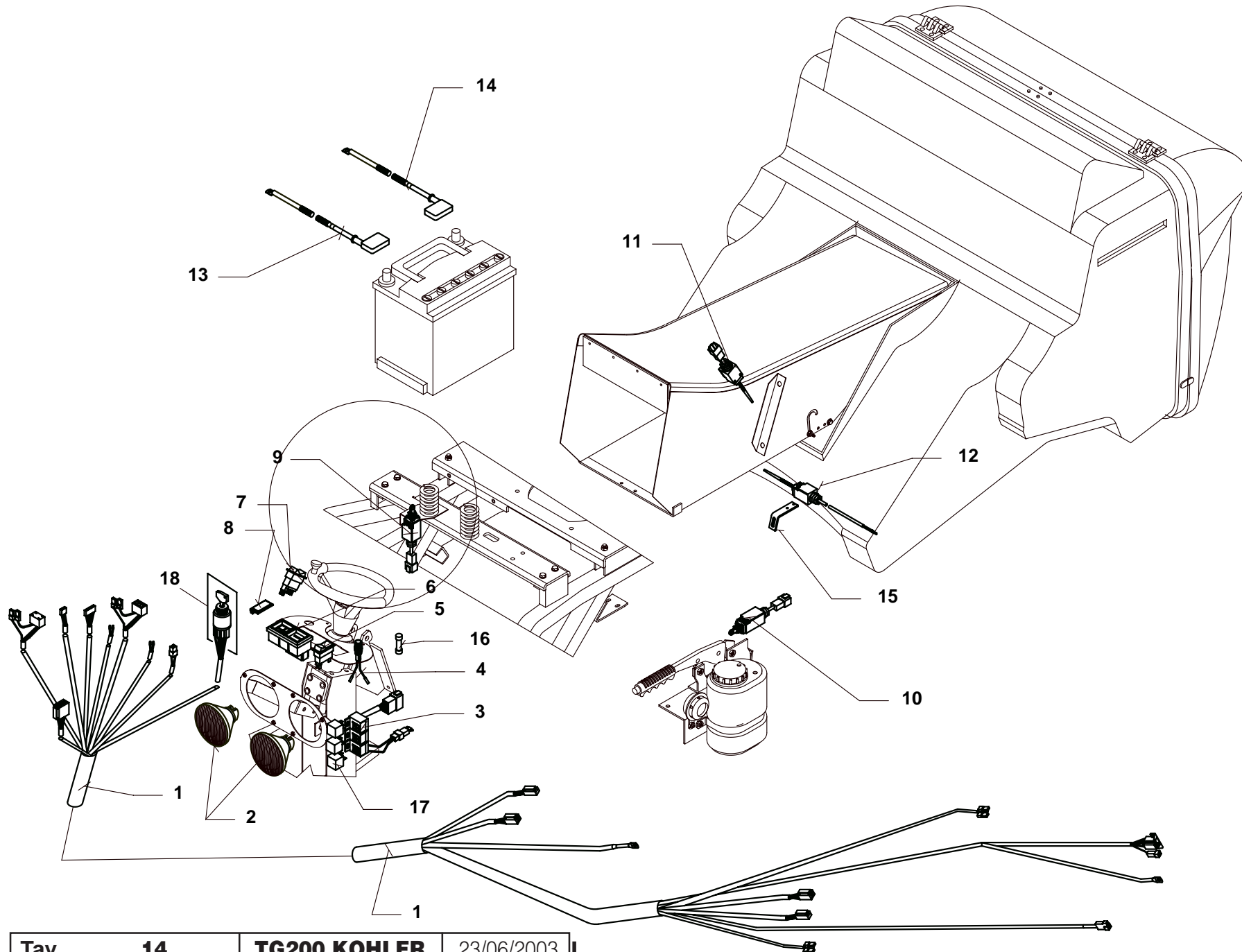


Pos.	CODICE / CODE
01	00777600068
02	00777600067
03	00777600072
04	00777600070
05	00777600073
06	00777600069
07	00777600077
08	00777600075
09	00777600071
10	00777650044
11	00111970056
12	94010480000
13	00777601300
14	00777601100
15	00777600028
16	00777601700
17	00777600040
18	00777600051
19	00777600039
20	94010000048
21	00111150005
22	00111990017
23	00777600063
24	00777600062
25	00777600042
26	00777600047
27	00777600056
28	94010250000
29	00777600066
30	95097100000
30	95097200000
31	94013150000
32	00111000189
33	00777600099
34	94010000083
35	00777230004
36	00777600003
37	00777600001
38	00111970135
39	00777600082
40	00777600046
41	00777600037
42	00777601900
43	42
44	42
45	00777600110
46	95599170000

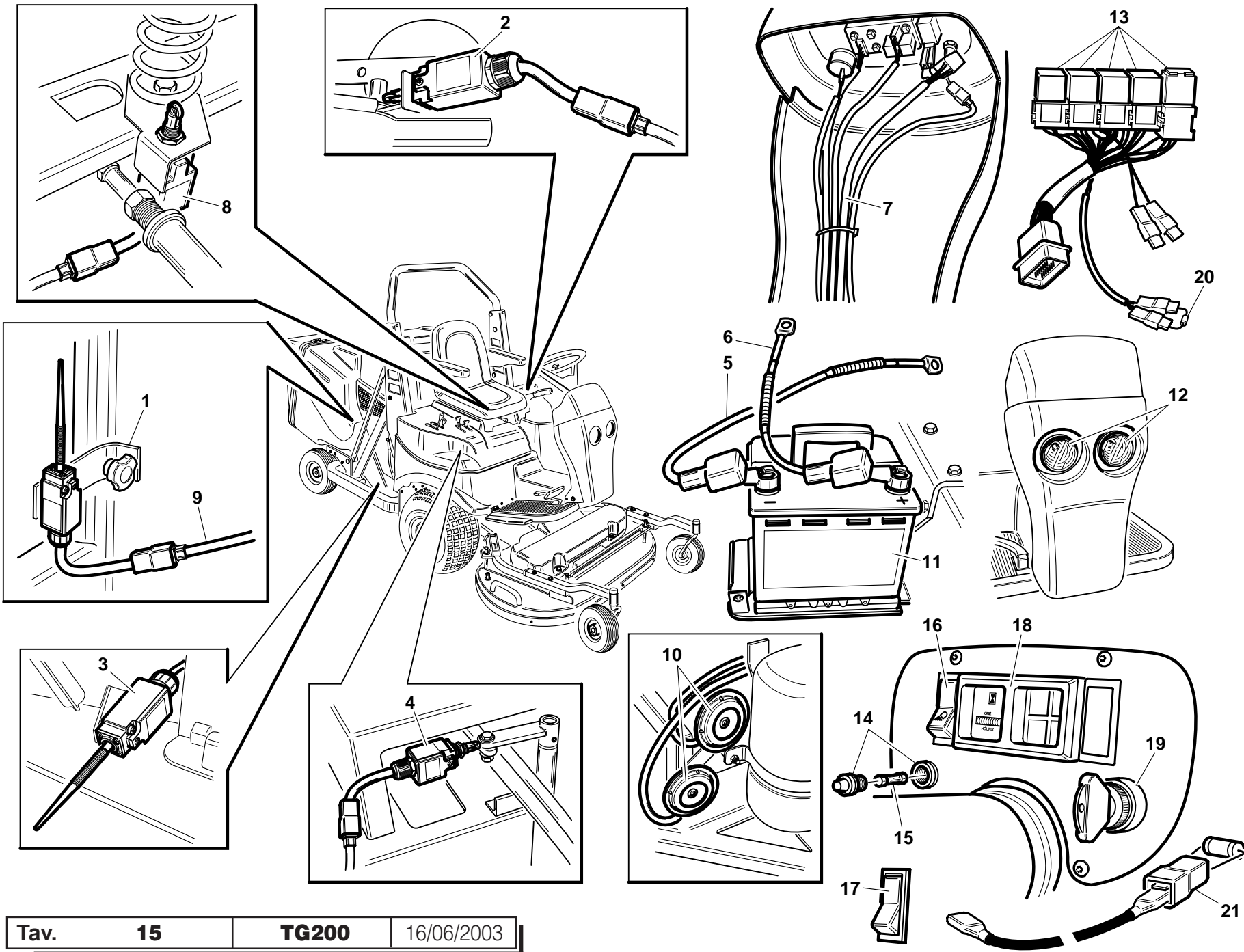


Pos.	CODICE / CODE
01	94010510000
02	94010310000
03	95533000003
04	00111650004
05	94010750000
06	PZ95533430000
07	94010000084
08	94010520000
09	94010310005
10	00111350022
11	00777601500
12	94010000090
13	00111970098
14	00777200012
15	00111150009
16	00777600020
17	00777180001
18	00777180002
19	00111990015
20	94010380000
21	94010760000
22	94010440000
23	94010000023
24	00777201401
25	00777201403
26	00777201402
27	94010190000
28	95001000060
29	94010200000
30	00111700006
31	94010210000
32	00777200007
33	94010260000
34	94010930000
35	94010000032
36	00111530001
37	PZ95500390000
38	47
39	47
40	47
41	47
42	47
43	47
44	00111000082
45	00777200001
46	47
47	95042230000
48	47
49	47
50	00777600065
51	00111900009
52	00111970145
53	00111970146
54	95599190000
55	
56	
57	
58	
59	
60	
61	
62	
63	
64	
65	
66	
67	
68	
69	
70	
71	

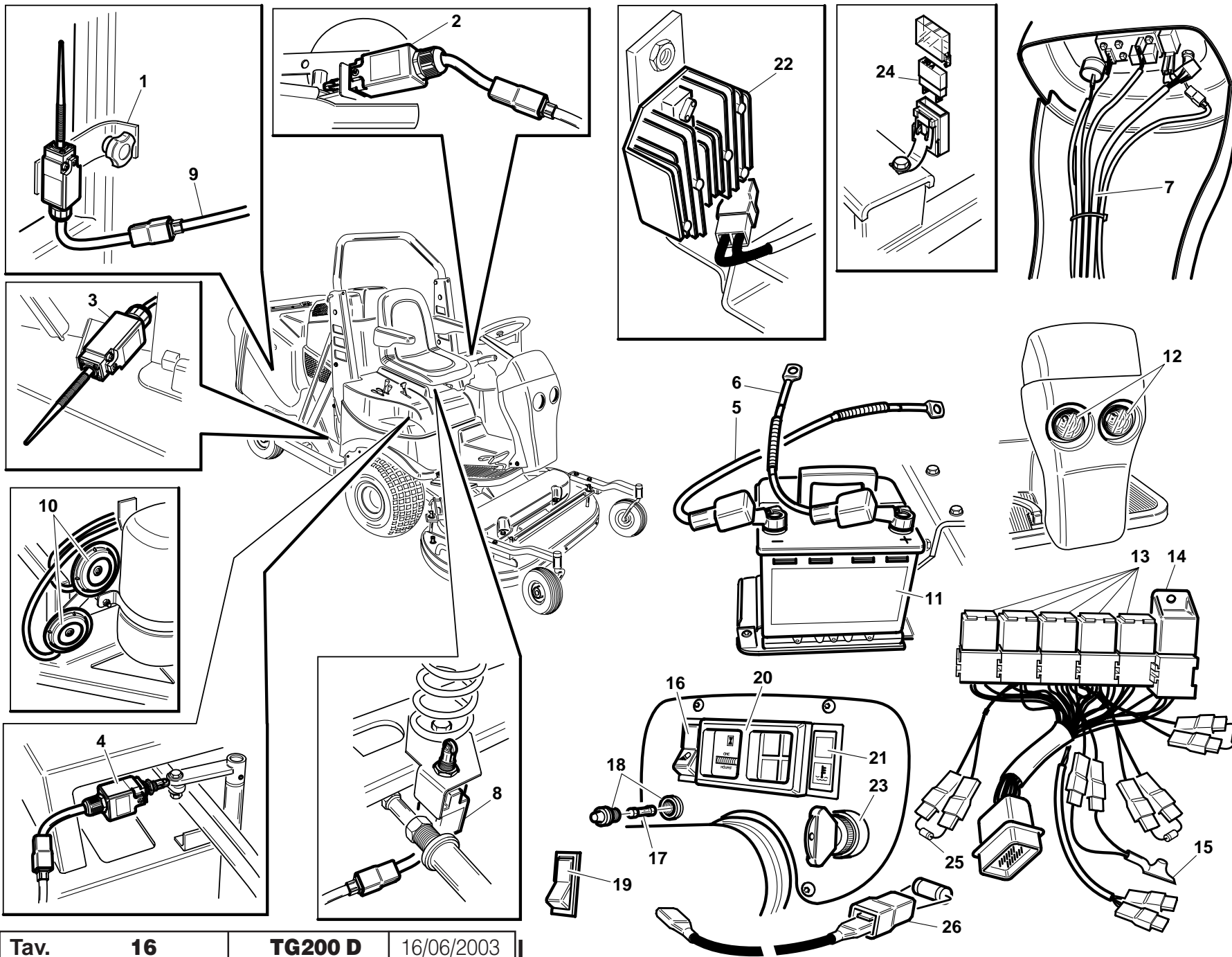
Pos.	CODICE / CODE
53	00777650055
54	00777200011
55	95002000004
56	00111000114
57	95533300001
58	00777600022
59	00777600023
60	00111150017
61	00111960005
62	00111960001
63	94010000066
64	94010000065
65	00777230005
66	94010000095
67	94010000063
68	00111990087
69	00111970145
70	00111970146
71	95599190000



Pos.	CODICE / CODE
01	94010371500
02	00777800127
02	00777800137
03	94010371600
04	94010371400
05	00777800007
06	00777800157
07	00777800134
08	00777800135
09	94010371100
10	94010371200
11	94010371300
12	94010371000
13	94010371700
14	94010371800
15	94010000094
16	00777800050
17	00777800132
18	00777800136
99	94010370000



Pos.	CODICE / CODE
01	94011240000
02	94011250000
03	94011260000
04	94011270000
05	94011280000
06	94011290000
07	94011200000
08	94011220000
09	94017250000
10	00777800022
11	00777800071
12	00777800137
13	00777800035
14	00777800153
15	00777800154
16	00777800007
17	00777800146
18	00777800157
19	00777800158
20	00777800161
21	00777800163



Pos.	CODICE / CODE
01	94011240000
02	94011250000
03	94011260000
04	94011270000
05	94011280000
06	94011290000
07	94012300000
08	94012320000
09	94017250000
10	00777800022
11	00777800071
12	00777800137
13	00777800035
14	00777800098
15	00777800150
16	00777800007
17	00777800154
18	00777800153
19	00777800146
20	00777800157
21	00777800159
22	95599000006
23	00777800160
24	00777800149
25	00777800161
26	00777800163

COD. 00555500012

2003.06

PROFESSIONAL MOWERS



GIANNI FERRARI s.r.l.
Via Vespucci ,53 (z.ind. Ranaro)
42046 Reggiolo (Reggio Emilia) Italy
Tel. 0522.973697 - Fax 0522.973707
E-mail: info@gianniferrari.com
www.gianni.ferrari.com

BIEFFEBI s.r.l.
Via dell'Artigianato ,7
46023 Gonzaga (Mantova) Italy
Tel. 0376.52641 - Fax 0376.588270
E-mail: offbieffebi.vendite@tin.it
www.bieffebi.com



COMPANY
WITH QUALITY SYSTEM
CERTIFIED BY DNV
== ISO 9001 ==